



# Madrid 2002 Global IPv6 Summit

## Network Configuration & Diagrams

Organized by:



# Network Information



- Madrid 2002 Global IPv6 Summit will provide IPv6/IPv4 connectivity within Conference room and adjacent areas in the Meliá Castilla Hotel.
- IEEE 802.11b wireless access points will be installed within the Global IPv6 Summit venue allowing access to external networks via RedIRIS network. In the case you don't have a wireless LAN card for your laptop, a lend service will be provided.
- Power outlets (220V, Europe standard) will be provided in both "Los Tapices" Conference room, "El Escorial" and "El Jardin" rooms.

# Configuration Information (I)

## Wireless Access Point

Cisco Aironet series

SSID: IPv6



## IPv6 Prefixes

2001:0720:1500:0101::/64

Routers will advertise prefixes. You don't have to configure the prefixes by hand.

## IPv4 Address

A DHCP server will provide IPv4 addresses.

## Default Routers

### IPv6

Routers will advertise their addresses. You don't have to configure any addresses.

### IPv4

A DHCP server will provide the address of the default router

# Configuration Information (II)



## DNS Addresses

### IPv6

2001:0720:1500:0100::6:226/64

If your OS does not support DNS access through IPv6 transport, please use 130.206.6.226 (Madrid 2002 GIS Network DNS)

### IPv4

A DHCP server will provide the address of the IPv4 DNS.

If you need to configure the address by hand, please use 130.206.6.226 (Madrid 2002 GIS Network DNS) and 130.206.1.3 (Secondary DNS)

## IPv6 Reachability Check

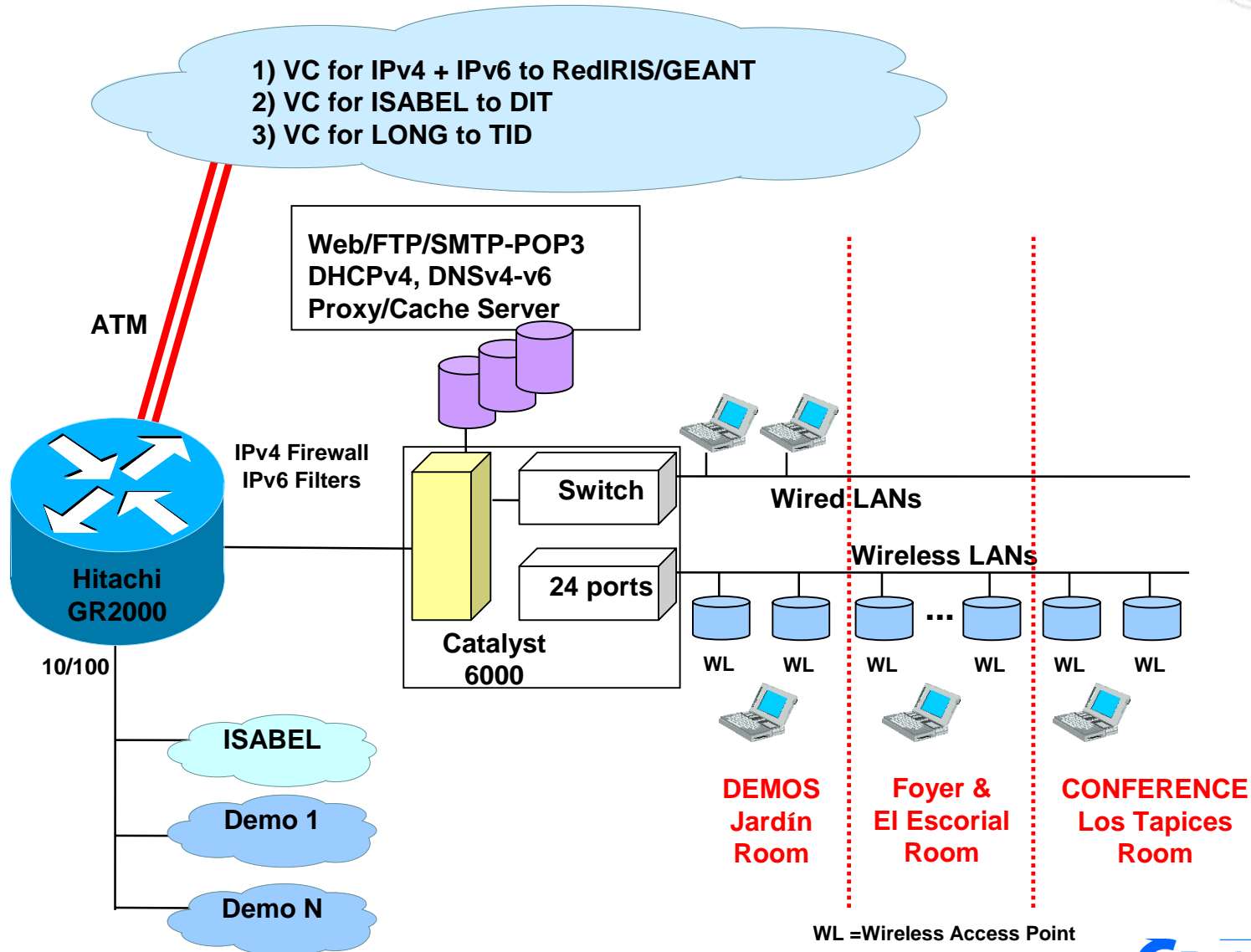
ping6 2001:0720:1500:0100::6:225/64

ping6 2001:0720:1500:0100::6:229/64

The Madrid 2002 Global IPv6 Summit Network is provided with the support of: Cisco, Consulintel, novaGnet and RedIRIS



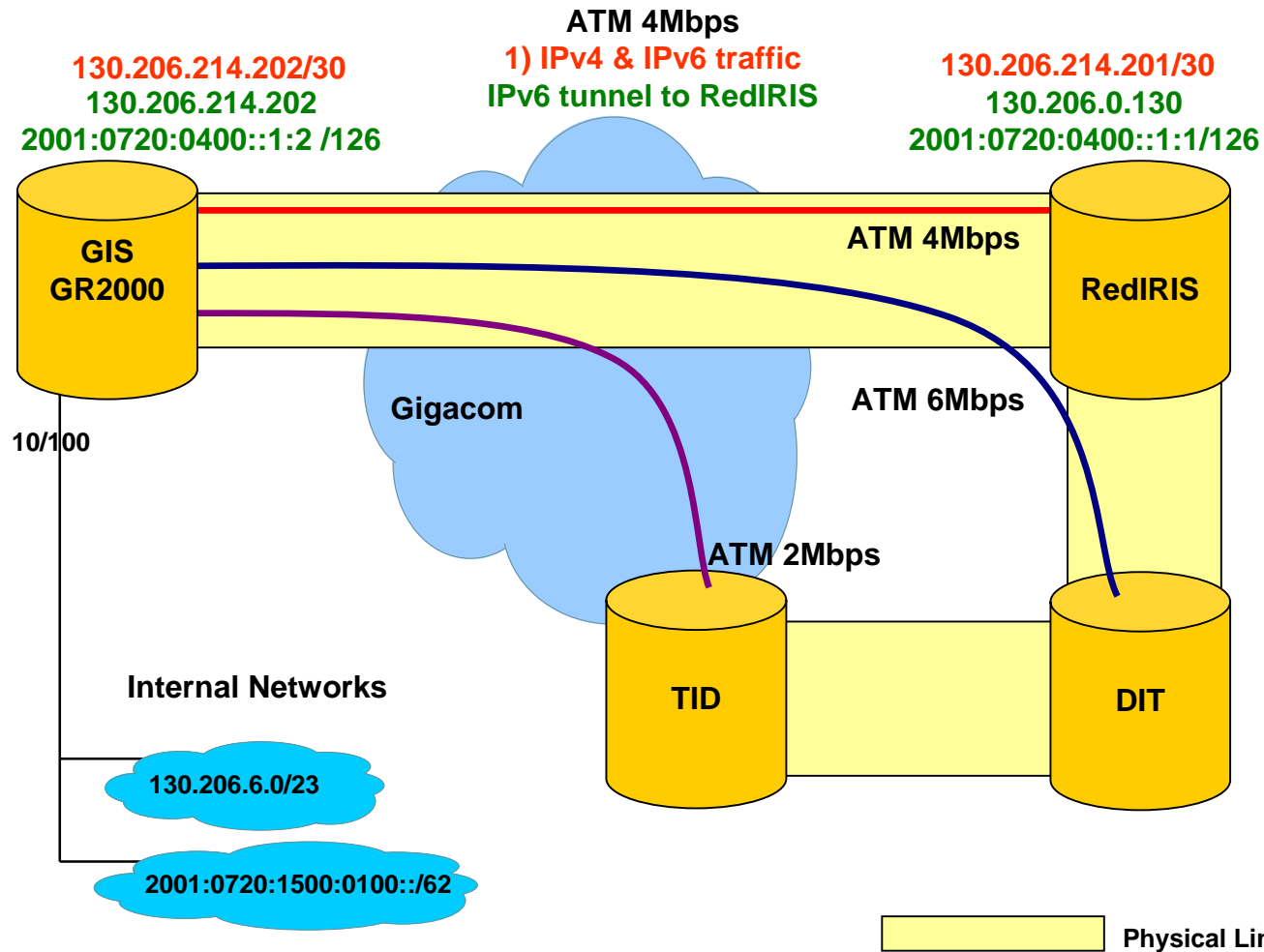
# Network Overview



# WAN Connectivity

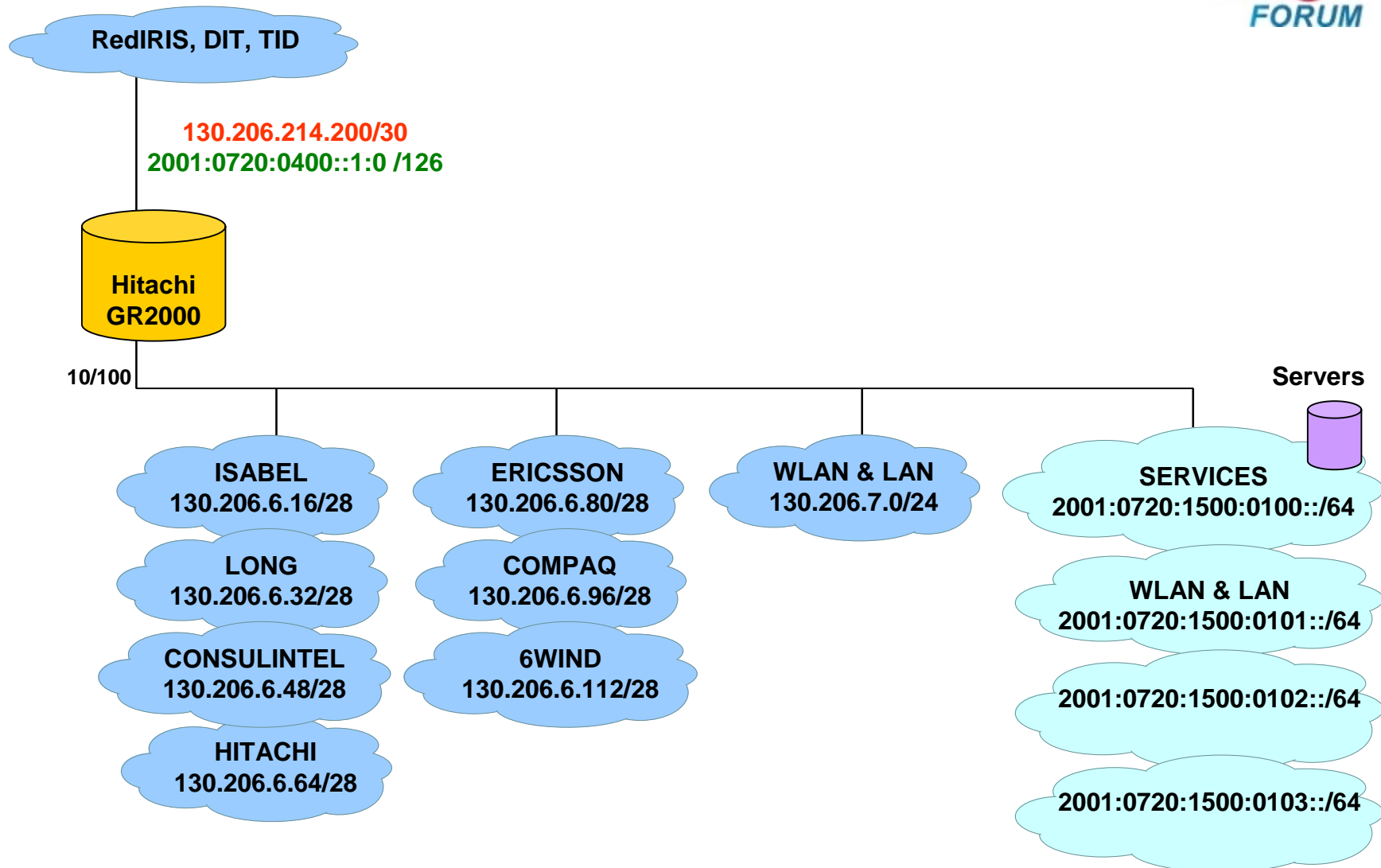


- 1) VC for IPv4 + IPv6 to RedIRIS/GEANT (4 Mbps)
- 2) VC for ISABEL to DIT (6 Mbps)
- 3) VC for LONG to TID (2Mbps)

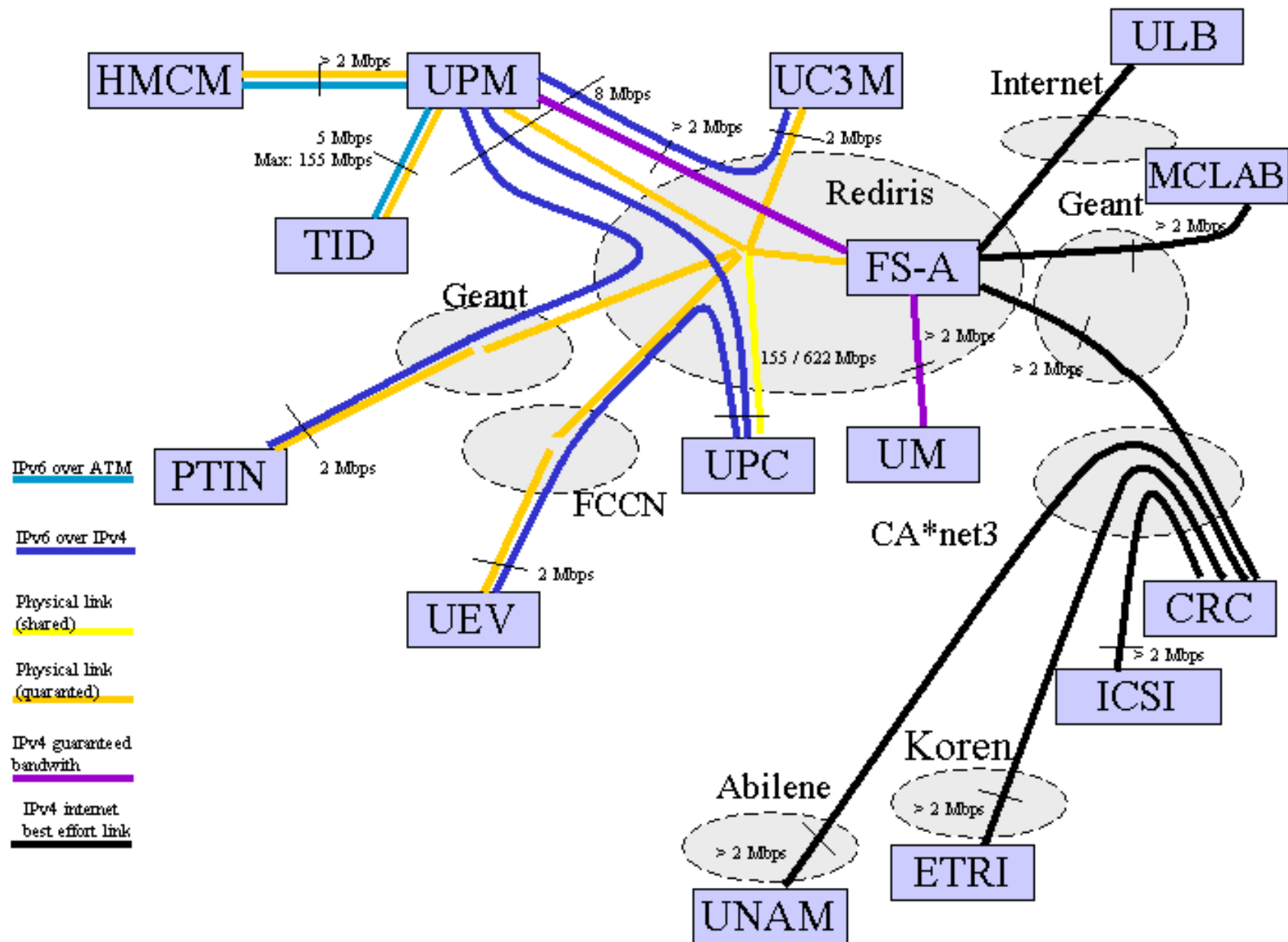


- ATM 6Mbps**
- 1) IPv6 tunnel to UPC (2Mbps)
- 2) IPv6 tunnel to PTIN (2 Mbps)
- 3) ISABEL IPv4 traffic (2 Mbps)

# LAN Connectivity

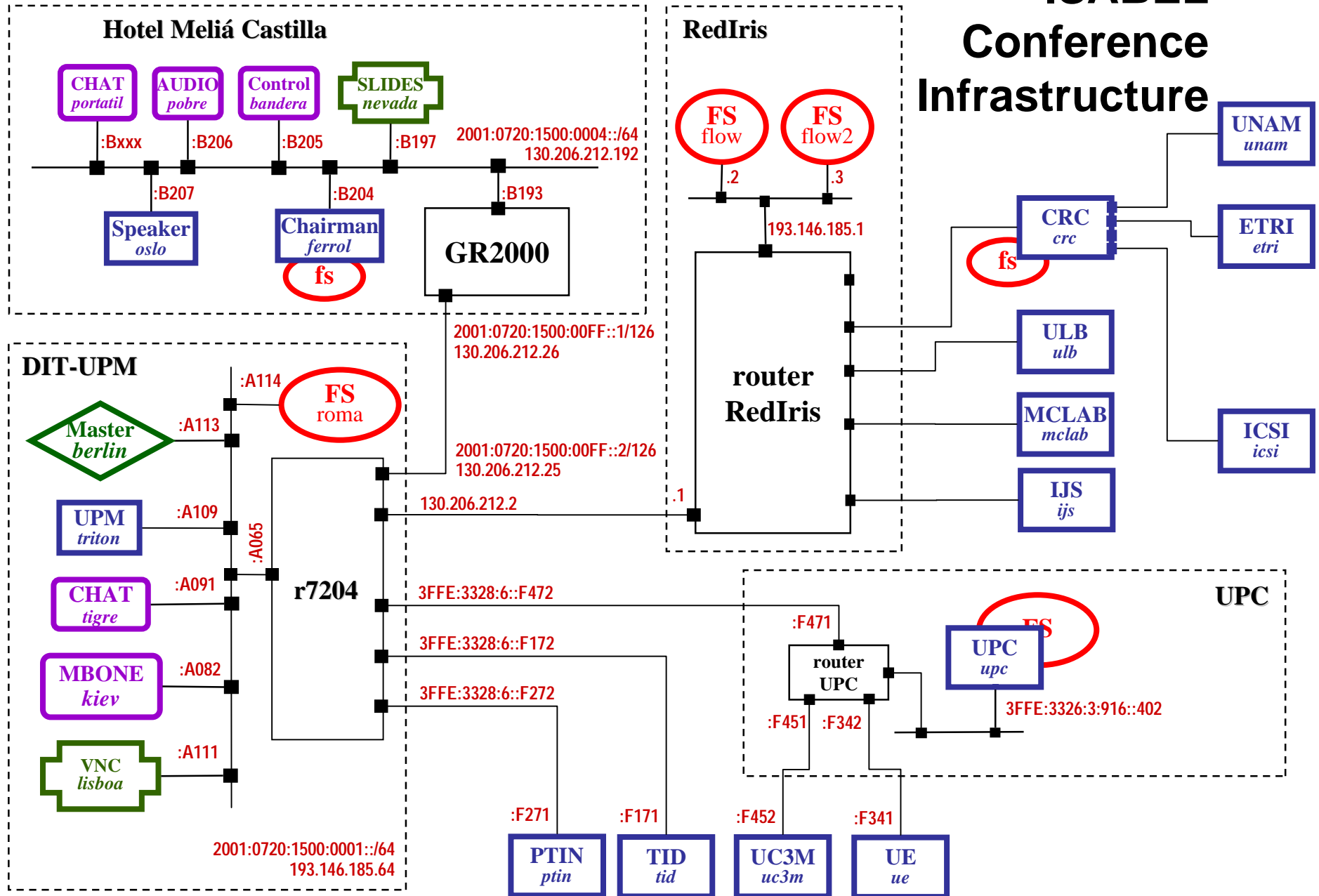


# Isabel Network Infrastructure

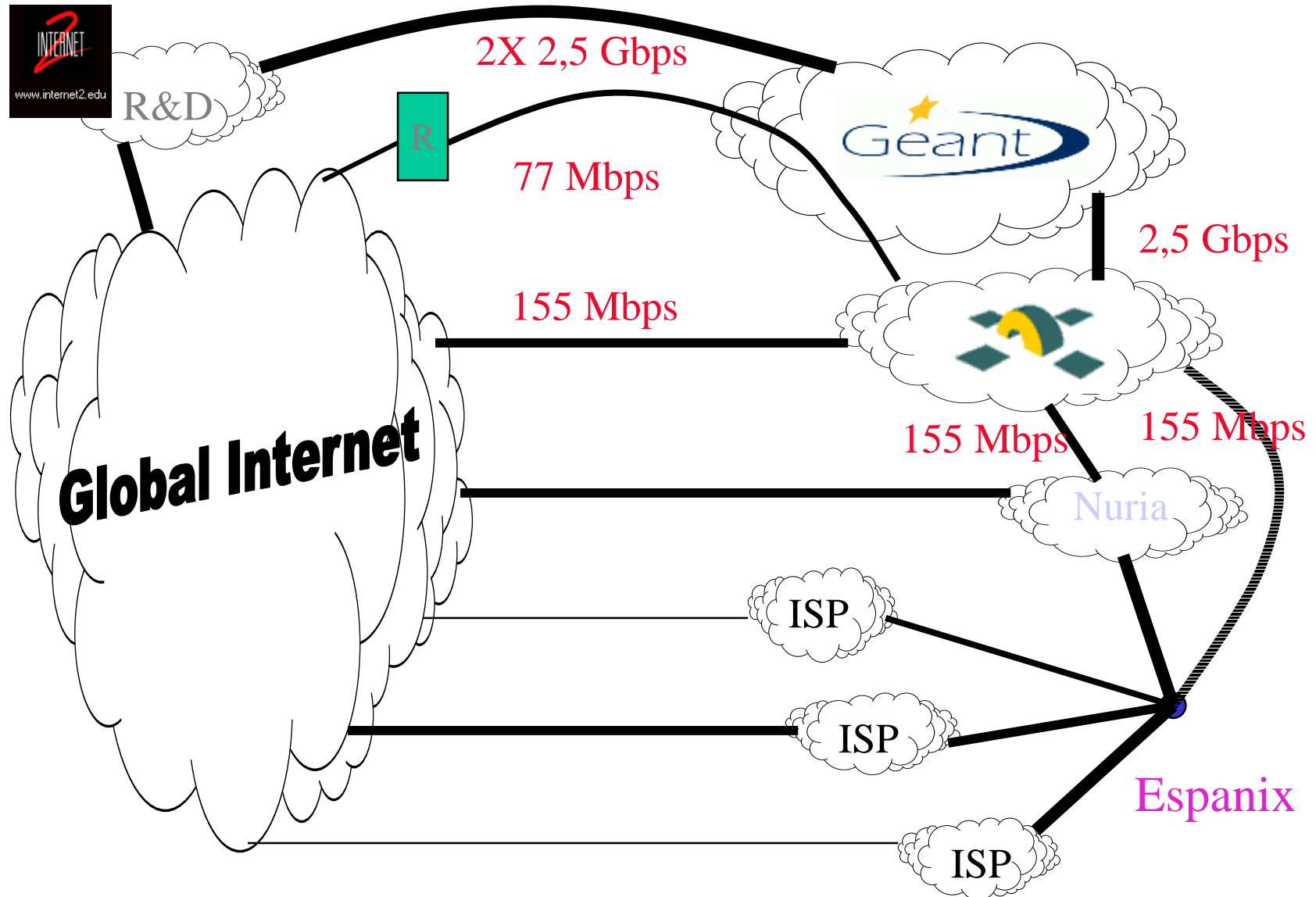




# ISABEL Conference Infrastructure



# RedIRIS External Links



**LAN1**

130.206.6.0/28

Demos + Services

IDNetwork	Broadcast	Range		
130.206.6.0/28	130.206.6.15	130.206.6.1	130.206.6.14	IDNetwork
130.206.6.16	130.206.6.31	130.206.6.17	130.206.6.30	ISABEL
130.206.6.32	130.206.6.47	130.206.6.33	130.206.6.46	LONG
130.206.6.48	130.206.6.63	130.206.6.49	130.206.6.62	CONSULINTEL
130.206.6.64	130.206.6.79	130.206.6.65	130.206.6.78	HITACHI
130.206.6.80	130.206.6.95	130.206.6.81	130.206.6.94	ERICSSON
130.206.6.96	130.206.6.111	130.206.6.97	130.206.6.110	COMPAQ
130.206.6.112	130.206.6.127	130.206.6.113	130.206.6.126	6WIND
130.206.6.128	130.206.6.143	130.206.6.129	130.206.6.142	
130.206.6.144	130.206.6.159	130.206.6.145	130.206.6.158	
130.206.6.160	130.206.6.175	130.206.6.161	130.206.6.174	
130.206.6.176	130.206.6.191	130.206.6.177	130.206.6.190	
130.206.6.192	130.206.6.207	130.206.6.193	130.206.6.206	
130.206.6.208	130.206.6.223	130.206.6.209	130.206.6.222	
130.206.6.224	130.206.6.239	130.206.6.225	130.206.6.238	Services
130.206.6.240/28	130.206.6.255	130.206.6.241	130.206.6.254	Broadcast

Services

IPv4	IPv6	service	name	domain
130.206.6.225	2001:0720:1500:0100::6:225/64	def. gateway	gr2000	
130.206.6.226	2001:0720:1500:0100::6:226/64	DNS v4-v6	dns	gis2002.es
130.206.6.227	2001:0720:1500:0100::6:227/64	DHCP	dhcp	
130.206.6.228	2001:0720:1500:0100::6:228/64	SMTP	smtp	
130.206.6.229	2001:0720:1500:0100::6:229/64	WWW	www	
130.206.6.230	2001:0720:1500:0100::6:230/64	FTP	ftp	
130.206.6.231	2001:0720:1500:0100::6:231/64			
130.206.6.232	2001:0720:1500:0100::6:232/64			
130.206.6.233	2001:0720:1500:0100::6:233/64			
130.206.6.234	2001:0720:1500:0100::6:234/64	PROXY:8080	proxy	
130.206.6.235	2001:0720:1500:0100::6:235/64	IDS	ids	
130.206.6.236	2001:0720:1500:0100::6:236/64			
130.206.6.237	2001:0720:1500:0100::6:237/64			
130.206.6.238	2001:0720:1500:0100::6:238/64			
130.206.1.3	Secondary DNS v4-v6	DNS	chico	rediris.es

2001:0720:1500:0100::/64

Demos + Services

**LAN2**

130.206.7.0/24	130.206.7.255	130.206.7.1	130.206.7.254	WLAN & LAN
2001:0720:1500:0101::/64				WLAN & LAN

VC for IPv4 + IPv6 to RedIRIS/GEANT

Connection	Hotel	RedIRIS
IPv4	130.206.214.202/30	130.206.214.201/30
IPv6 tunnel	130.206.214.202	130.206.0.130
	2001:0720:0400::1:2 /126	2001:0720:0400::1:1/126



Organized by:

